








-  Syma5 Edge
-  SymaG-32 Profile Handle
-  Gola Prof. for Upper Cabinets
-  Toe Kicks LED with Ventilation
-  VENTOO Kit for Induction Ventilation-Reinforcement

# ▣ Rincomatic Syma5 EDGE Profile Handle

**Syma5 Edge** is a profile handle that generates sleek and discreet lines on doors and drawers. The combination of different end caps allows to create various versions of Syma5 Edge handle and to be adjusted to any size



## **Syma5 Edge\_Continuo** An ideal version for **DRAWERS**



## **SymaG-32 and Syma5 Edge** SymaG-32 and Syma5 Edge Handles can be combined together within the same project



## **Syma5 Edge\_Giro** Enables opening **DOORS**



## **Syma5 EDGE\_Integrado** INTEGRADO version adapts to your preferences You just choose the size, location, and color



## ▣ Rincomatic\_SymaG-32

### Profile Handle

Profile Handle **SymaG-32** enables to achieve a Gola Modern Project, maximizing the access to the cabinet. Its "G" shape design facilitates opening of doors and drawers by pulling the handle from inside. The combination of different end caps and finishes makes possible to create multiple designs.

### SymaG-32



### SymaG-32\_VISTO



### SymaG-32\_Integrado PARTIAL



### SymaG-32\_Integrado TOTAL



## ■ Rincomatic\_Ventoo Kit for induction

Rincomatic\_Ventoo generates bi-directional breathing in the cabinet, allowing to place a functional drawer below the induction hob, which does not heat up.

- Drawer does not heat up
- Induction cooktop works restlessly
- Reinforce and Ventilate cabinets
- Toe Kick also breathes



## Rincomatic\_Ventoo OCULTO

OCULTO version of Rincomatic\_Ventoo provides an uniform aesthetic remaining invisible. It reinforces cabinets and leaves necessary space for a proper ventilation of the induction



## Rincomatic\_Ventoo VISTO

VISTO version of Rincomatic\_Ventoo, located aligned with front doors, matches handles style and appliances colors thanks to the variety of finishes available. It reinforces cabinets and leaves necessary space for a proper ventilation of the induction.



## Rincomatic\_Ventoo Traditional Gola



+ info Traditional Gola



## Rincomatic\_Ventoo Flat Gola



+ info Flat Gola

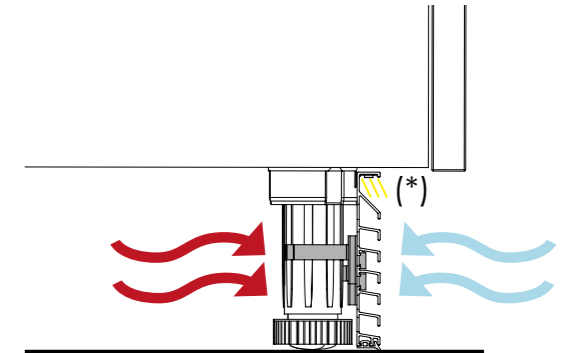


## Rincomatic\_Ventoo Toe Kicks



### Toe Kick Ventoo LED

It provides proper air circulation in cabinets with induction stoves, refrigerators, sinks, ovens and pantries.



## INCOMATIC®\_VENTOO

≈ BI-DIRECTIONAL BREATHING ≈



PARTITION, Chambers Separation



Chambers Separation, PARTITION

### Package A

Reinforcing + Ventilation Profiles

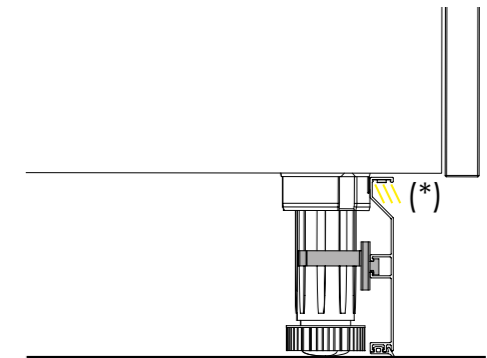
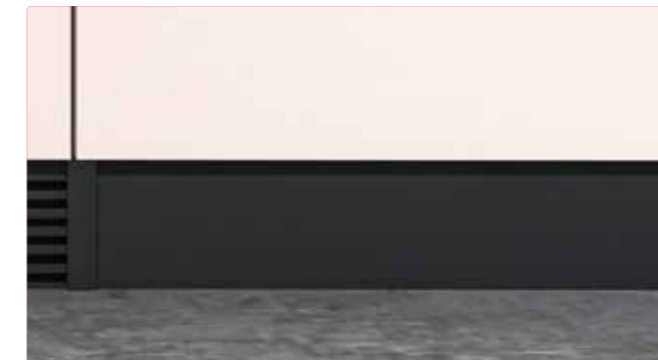
### Package B

Isolating Tray



### Toe Kick Flat LED

An elegant toe kick version that keeps a minimalistic style and sleek lines



Two available heights: 80 mm and 100 mm

Both versions provides space to accommodate LED strips (\*) LED Strip not included

# ■ Gola for Upper Cabinets



**Rincomatic Gola Profile for Upper Cabinets** is an opening system for the door fronts located on the upper cabinets. This Gola Profile remains concealed and facilitates the opening of fronts from the inner part

Besides, it offers the possibility to incorporate a LED strip to light up the worktop

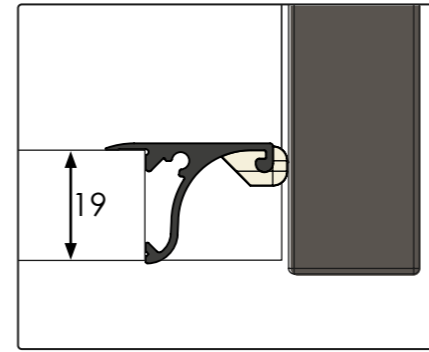
Its installation through **Rincomatic Clip-System** avoids additional machining of cabinets



*Practical silent rubber bumper clipped into the profile*

## 1. Upper Cabinet Gola Profile

Offers a comfortable way to open the doors while remaining concealed



*Board thickness 19mm*

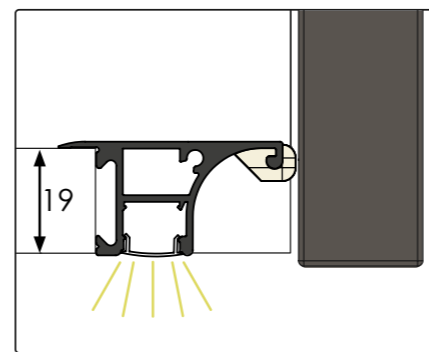


## 2. LED Upper Cabinet Gola Profile

Provides space to accommodate 1 LED strip and lights up the worktop

*\*Diffusing screen included*

*\*LED Strip not included*



*Board thickness 19mm*

