

INSTALLATION

1 COMPONENTS

pg2



2 HORIZONTAL INSTALLATION

pg3



- **2.1** Cabinet side panel routing
- **2.2** Upper Gola Profile installation in cabinet “with top-panel”
- **2.3** Upper Gola Profile installation in cabinet “with Reinforcing Profile”
- **2.4** Measurements to install Clip for the upper Gola Profile
- **2.5** Intermediate Gola Profile installation
- **2.6** Measurements to install Clip for intermediate Gola Profile

3 ACCESSORIES FOR UPPER TRADITIONAL GOLA PROFILE

pg8



4 ACCESSORIES FOR INTERMEDIATE TRADITIONAL GOLA PROFILE

pg9



5 VERTICAL INSTALLATION WITH “VISIBLE” SCREW

pg10



6 VERTICAL INSTALLATION WITH “VISIBLE” AND “NOT VISIBLE” SCREW

pg11



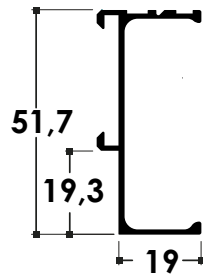
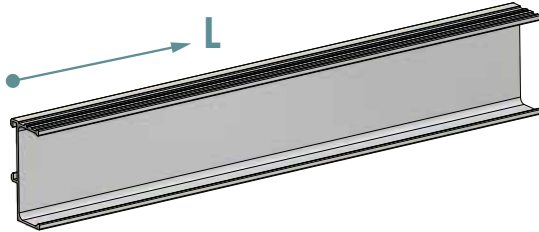
7 VERTICAL INSTALLATION WITH “NOT VISIBLE” SCREW

pg12



1 COMPONENTS

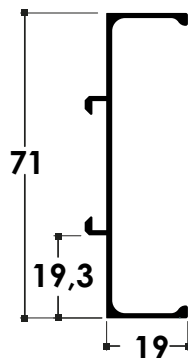
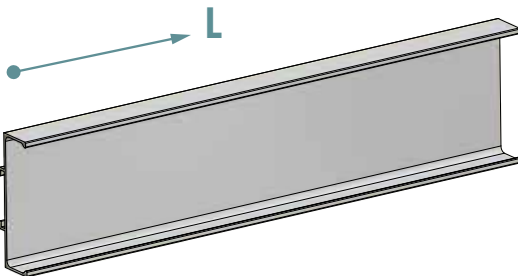
Upper-Side Profile



L₁: 2950 mm

L₂: 2670 mm (105 1/8 in)

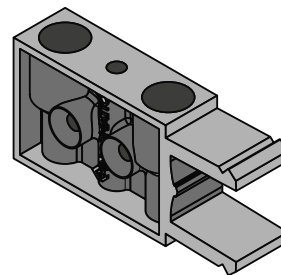
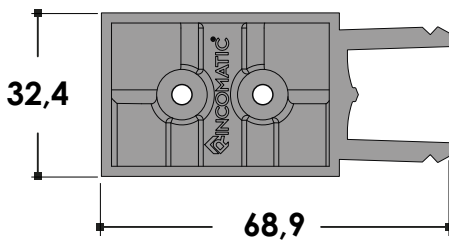
Intermediate Profile Vertical-Horizontal



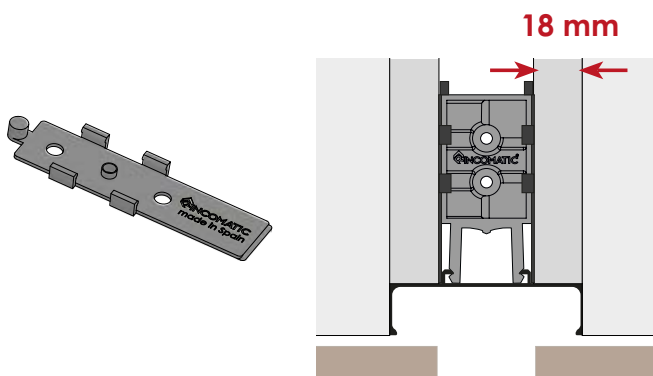
L₁: 2950 mm

L₂: 2670 mm (105 1/8 in)

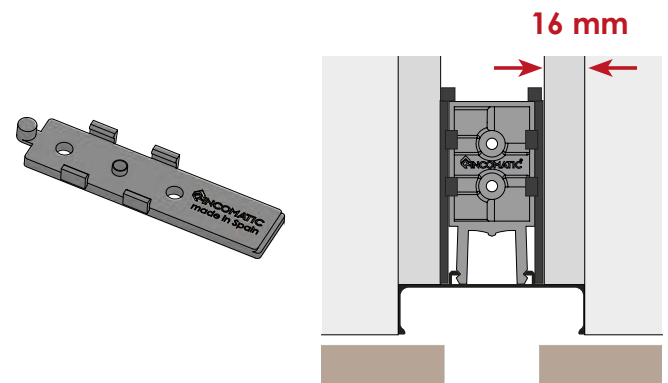
Clip Gola



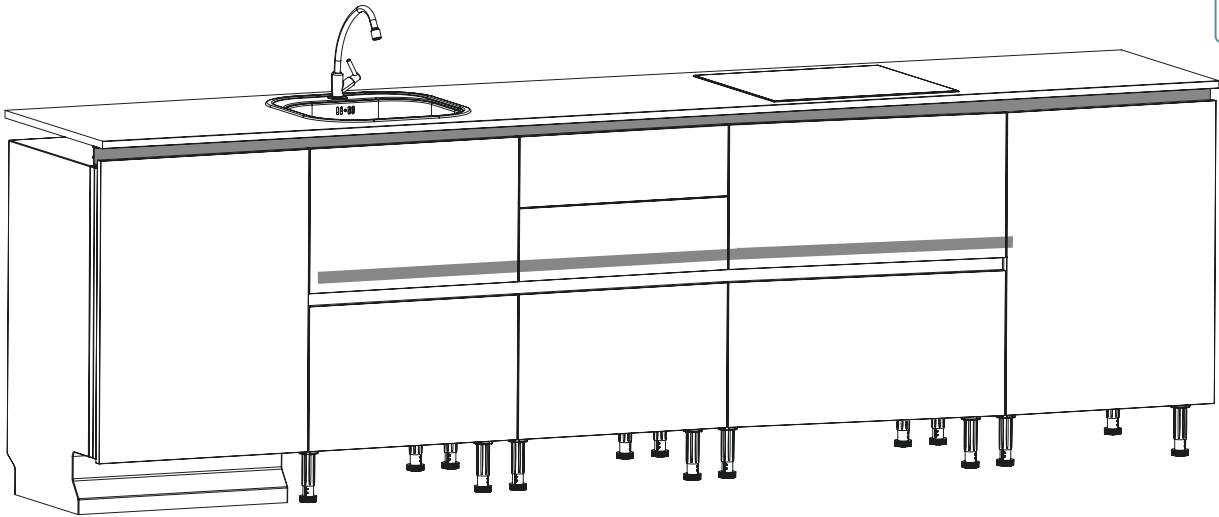
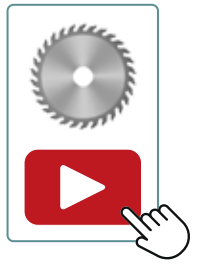
Spacer clip-gola 1mm for 18 mm cabinet side thickness



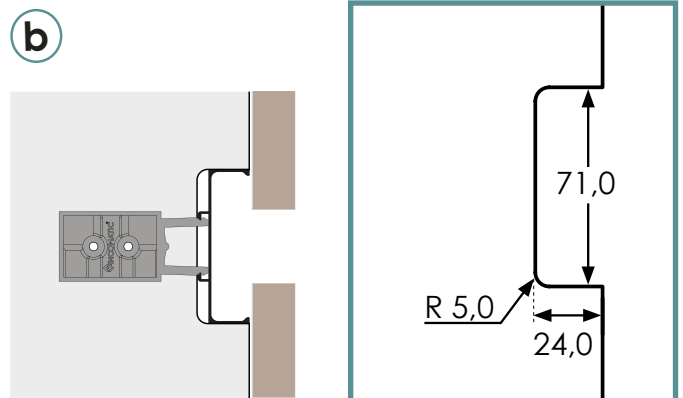
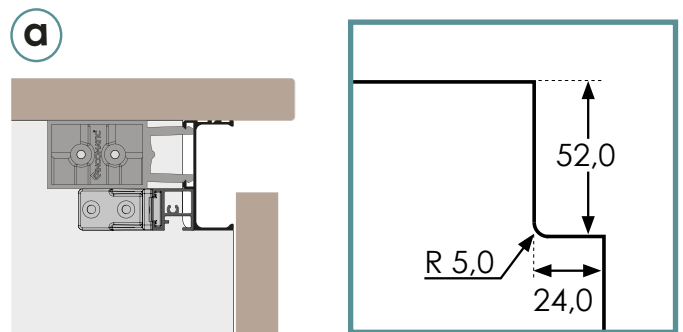
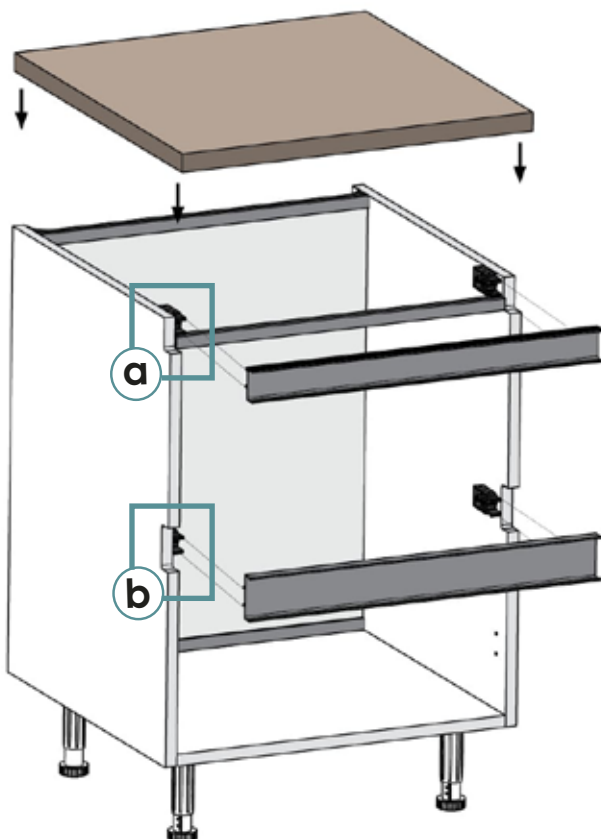
Spacer clip-gola 3mm for 16 mm cabinet side thickness



2 HORIZONTAL INSTALLATION

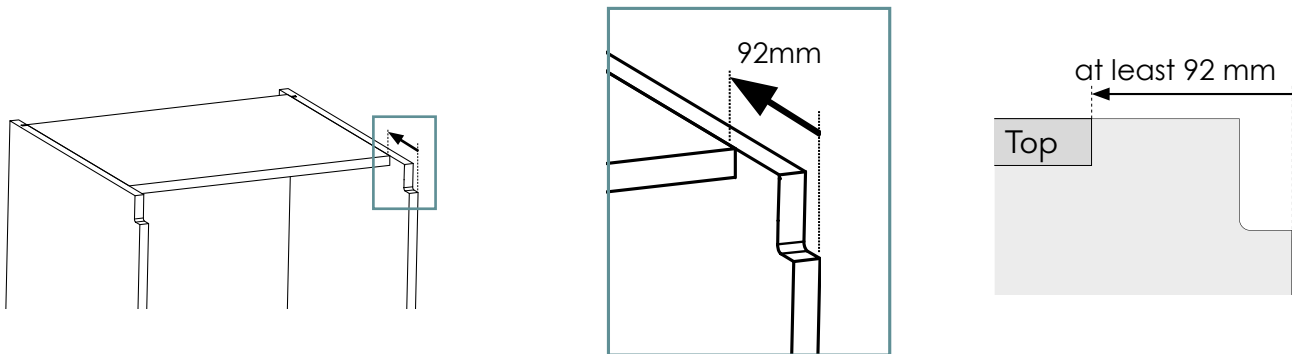
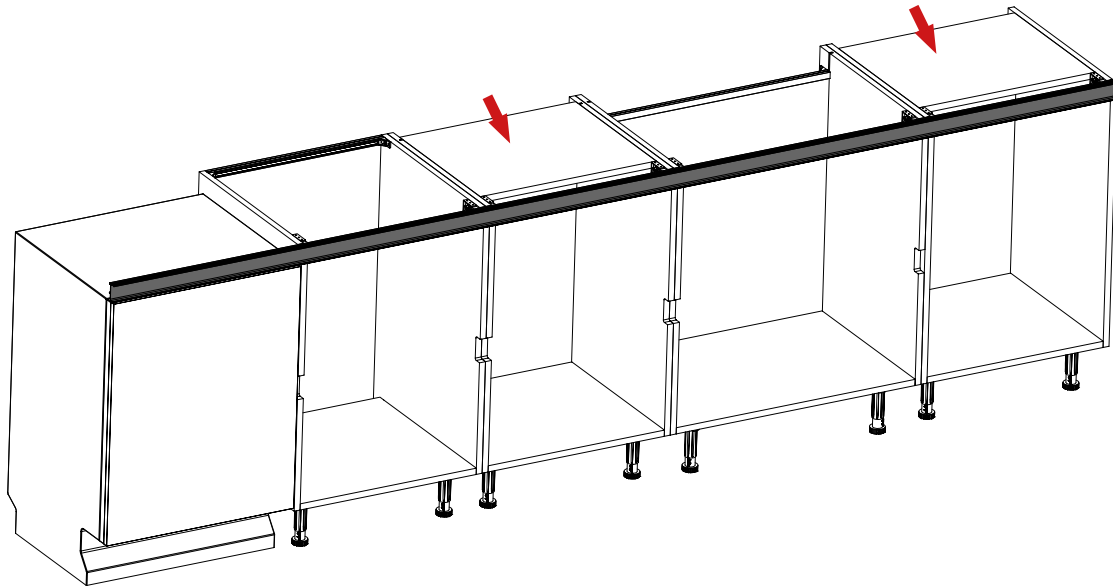
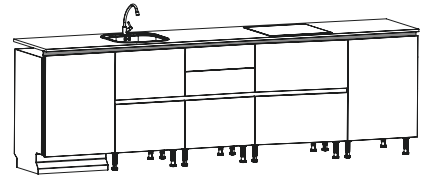


2.1 CABINET SIDE PANEL ROUTING

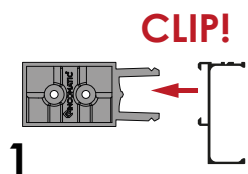


2.2 UPPER GOLA PROFILE INSTALLATION

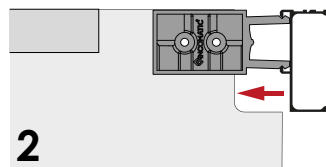
In cabinet "with top-panel"



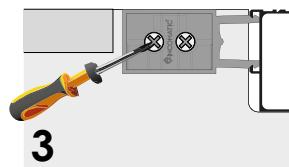
The cabinet top-panel must be recessed at least 92 mm



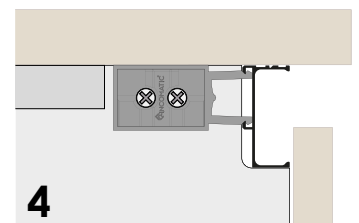
1
Clip



2
Place the profile



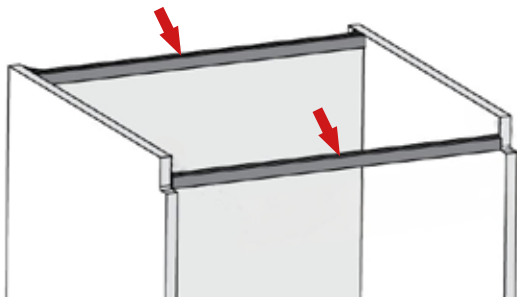
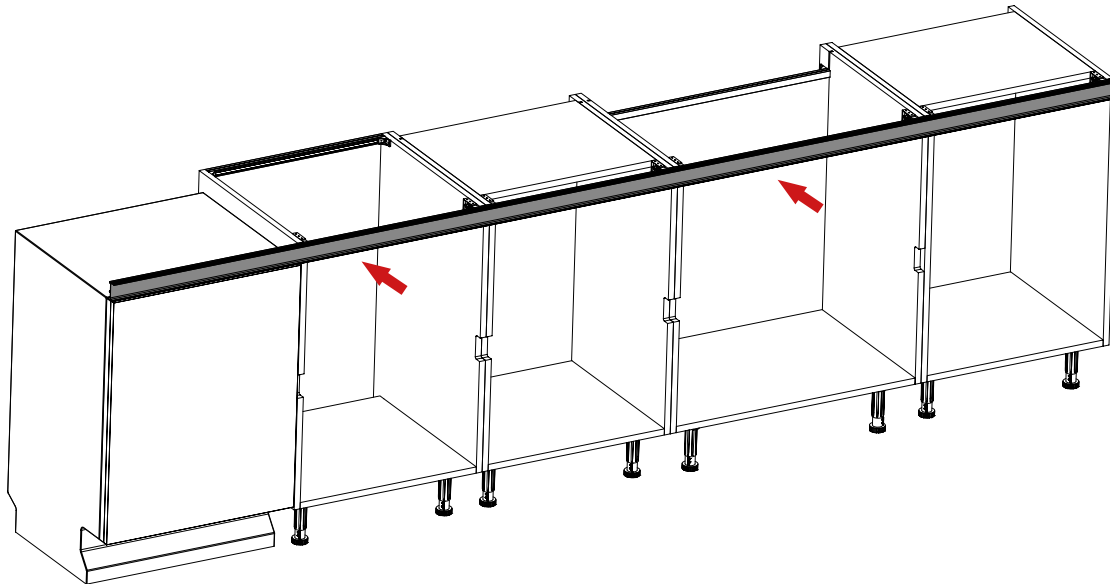
3
Screw the clip to the side



4
Place the worktop

2.3 UPPER GOLA PROFILE INSTALLATION

In cabinet "with Reinforcing Profile"

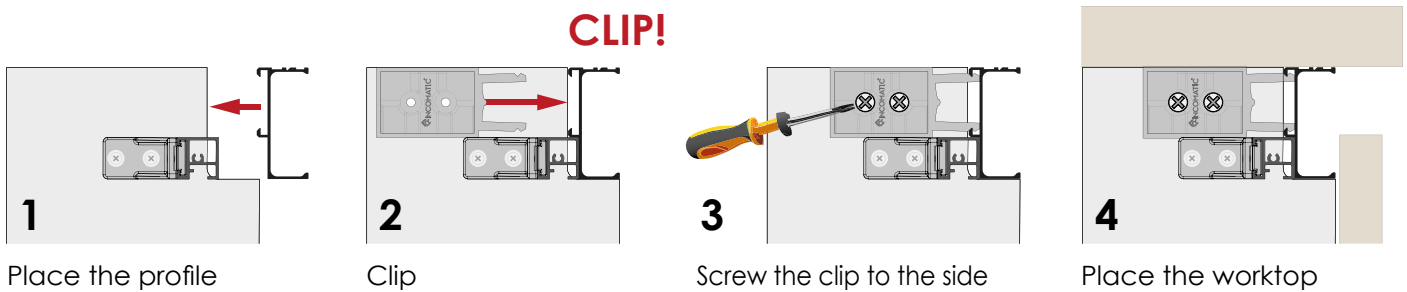


Reinforcing Profile

Its installation is recommended in sinks cabinets, ceramic hobs, induction cooktops

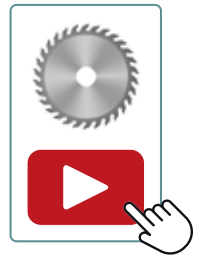
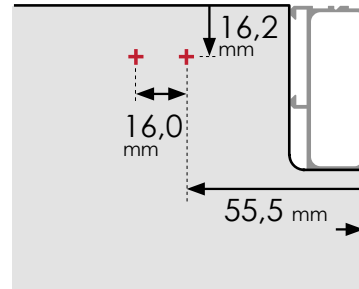
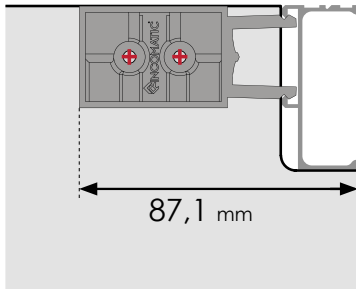


[+ info](#)

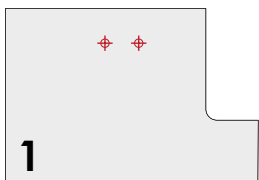
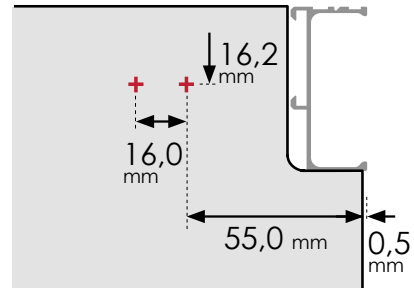
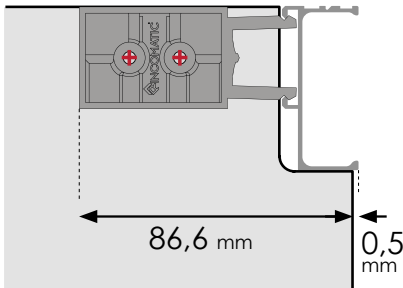


2.4 MEASUREMENTS TO INSTALL CLIP FOR THE UPPER GOLA PROFILE

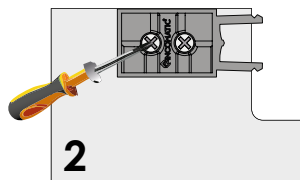
Profile aligned with front of cabinet



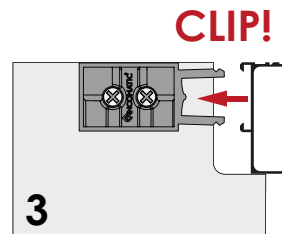
Profile NOT aligned with front of cabinet



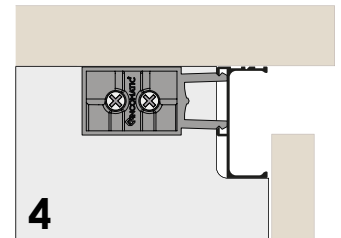
1
Mark position of screws



2
Screw the clip to the side



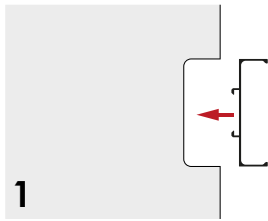
3
Clip



4
Place the worktop

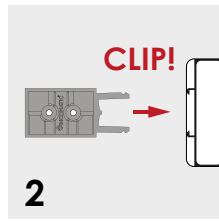


2.5 INTERMEDIATE GOLA PROFILE INSTALLATION



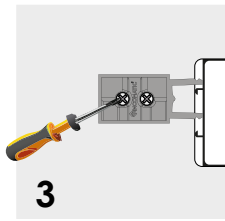
1

Place the profile



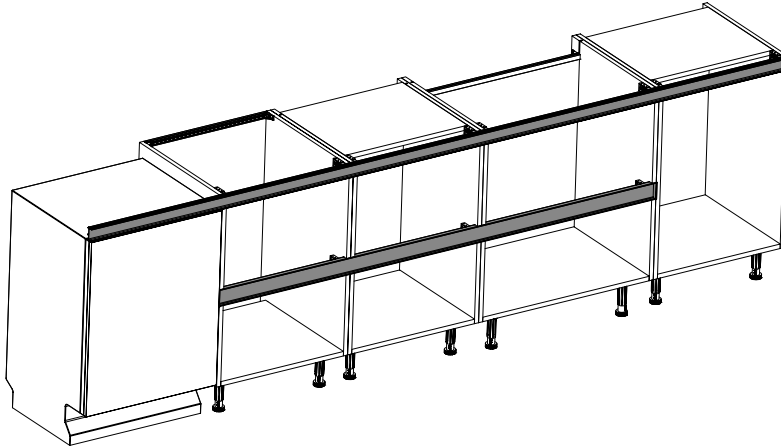
2

Clip

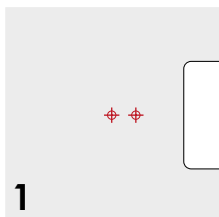
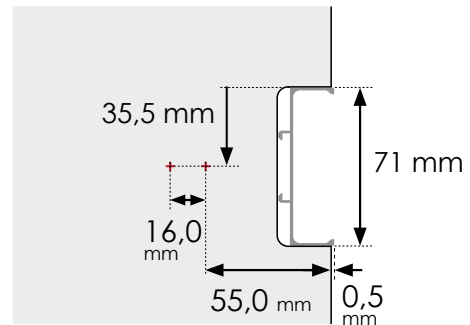
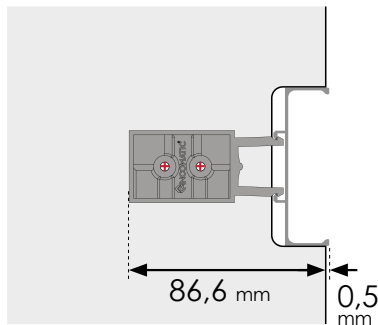


3

Screw the clip to the side

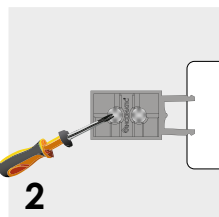


2.6 MEASUREMENTS TO INSTALL CLIP FOR INTERMEDIATE GOLA PROFILE



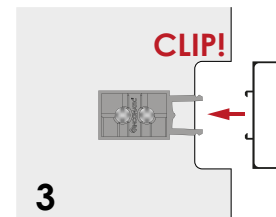
1

Mark position of screws



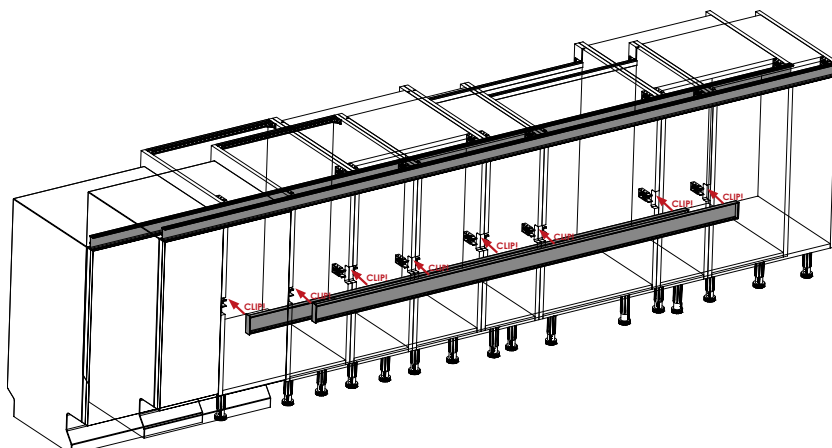
2

Screw the clip to the side



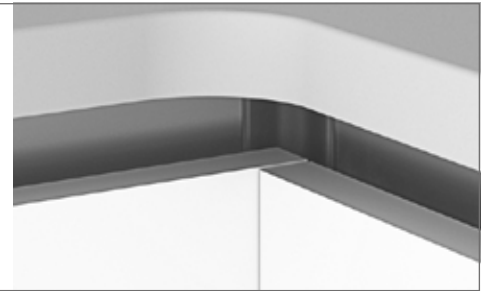
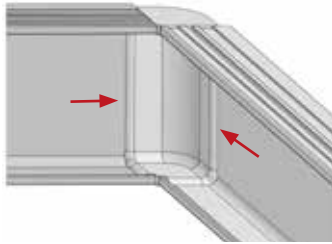
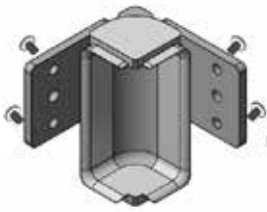
3

Clip

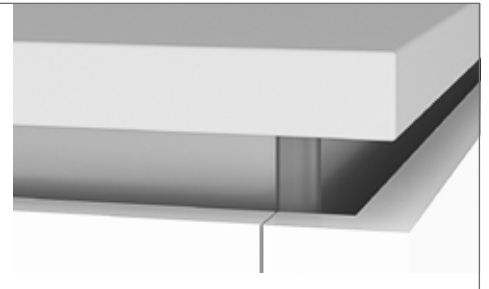
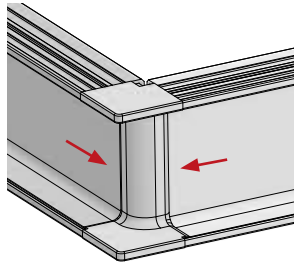
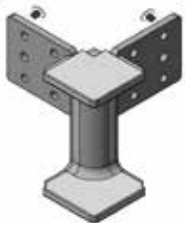


3 ACCESSORIES FOR UPPER TRADITIONAL GOLA PROFILE

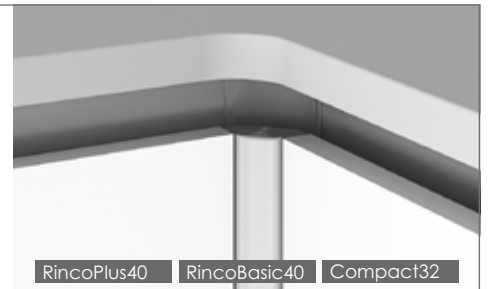
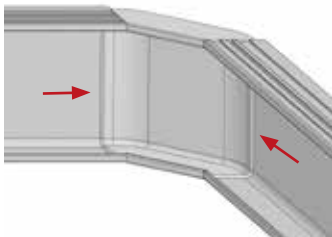
Interior angle 90°



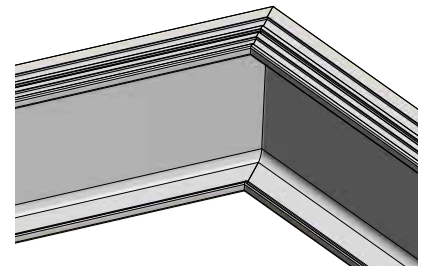
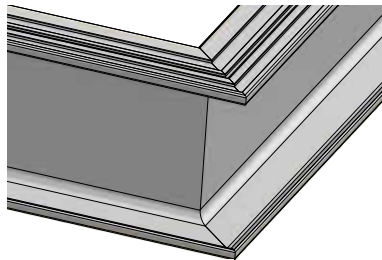
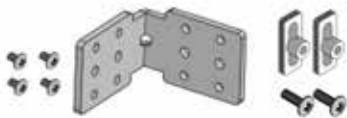
Exterior angle 90°



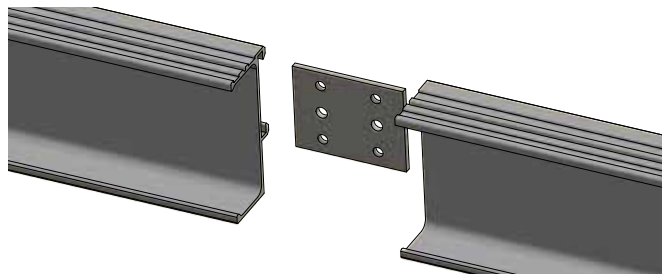
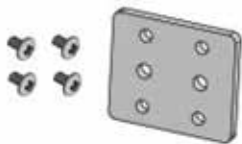
Chamfered corner 90°



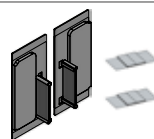
Fixing angles 90°



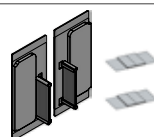
Connector plate



Pair of Exterior upper cap

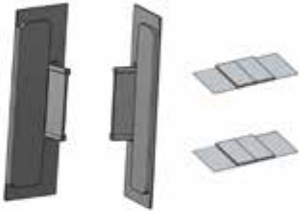


Pair of Exterior upper cap PAINTED

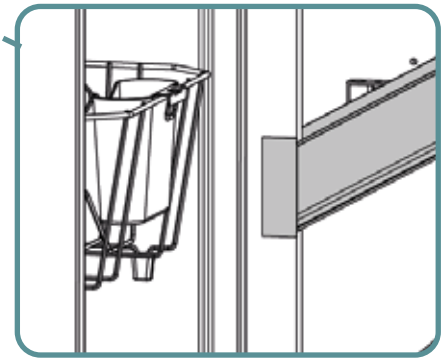
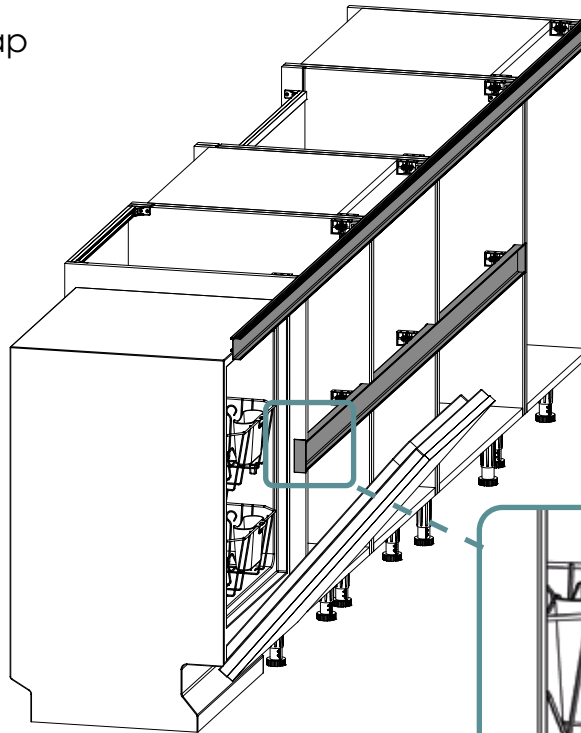


4 ACCESSORIES FOR INTERMEDIATE TRADITIONAL GOLA PROFILE

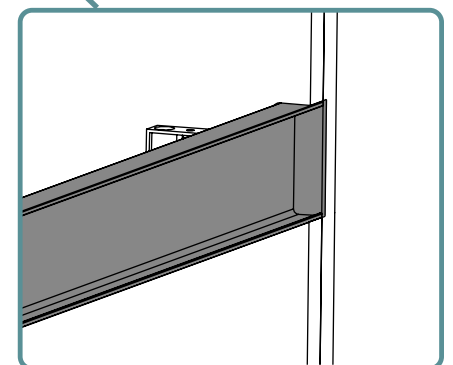
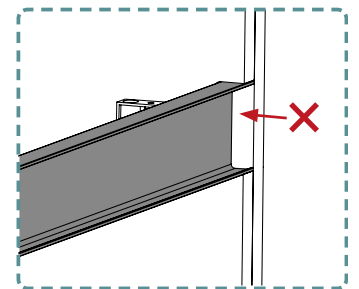
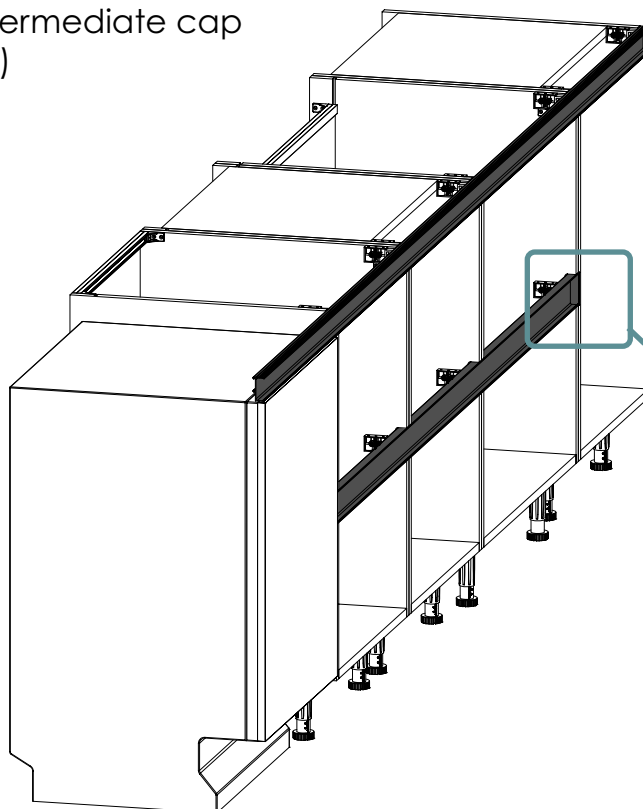
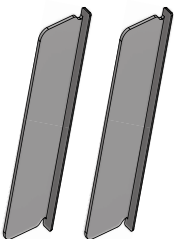
Pair of Exterior intermediate cap
(against dishwasher)



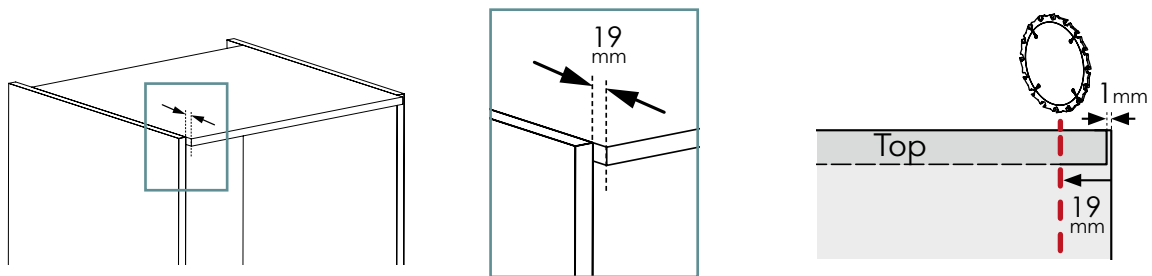
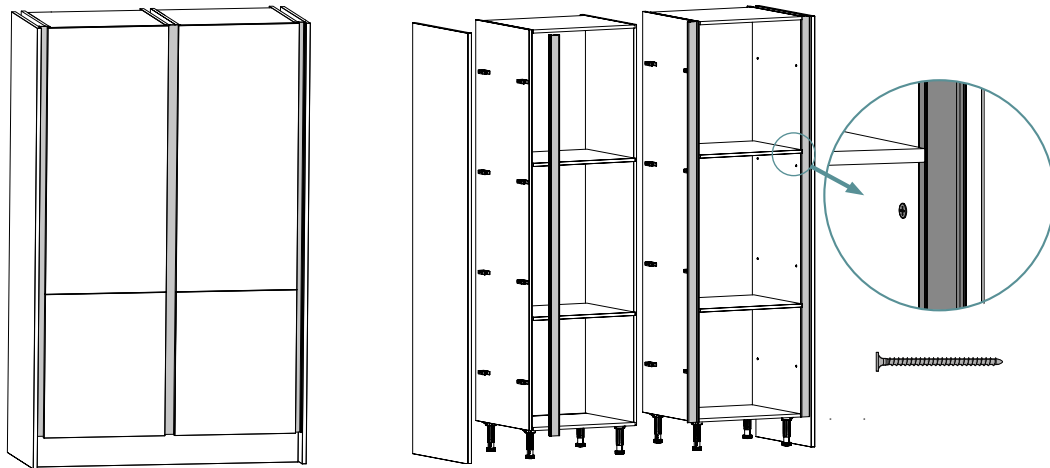
Exterior intermediate cap
(against dishwasher)
PAINTED



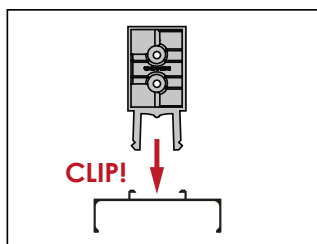
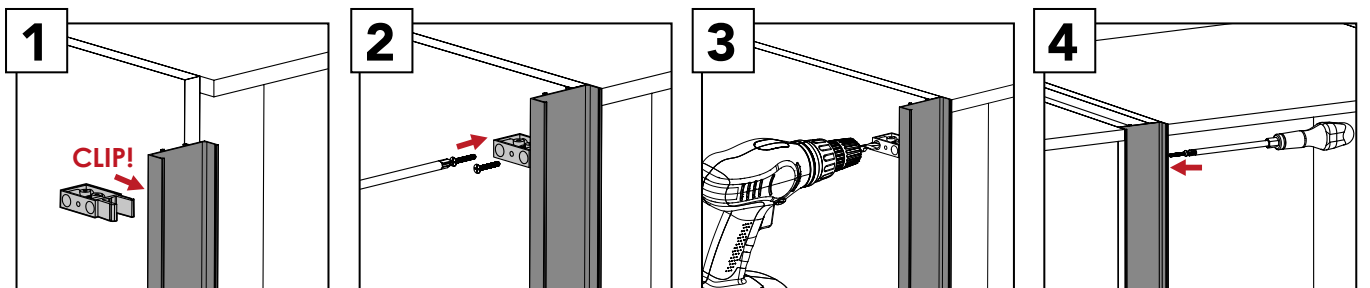
Pair of Interior intermediate cap
(against cabinet)



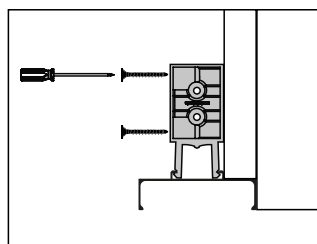
5 VERTICAL INSTALLATION WITH "VISIBLE" SCREW



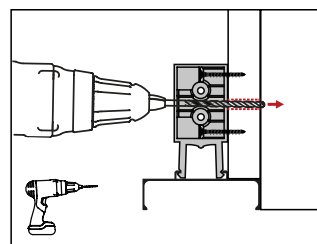
The cabinet side-panel must be cut 19 mm



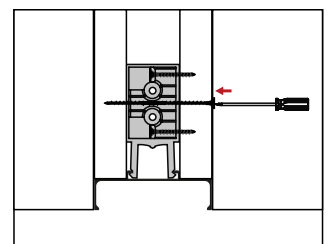
Clip



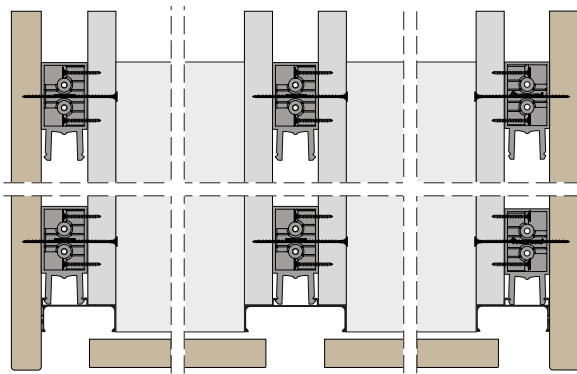
Place and screw to the side






Drill the side panel



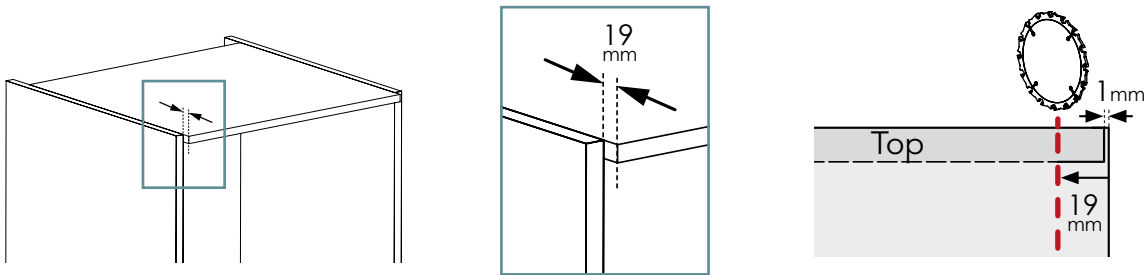
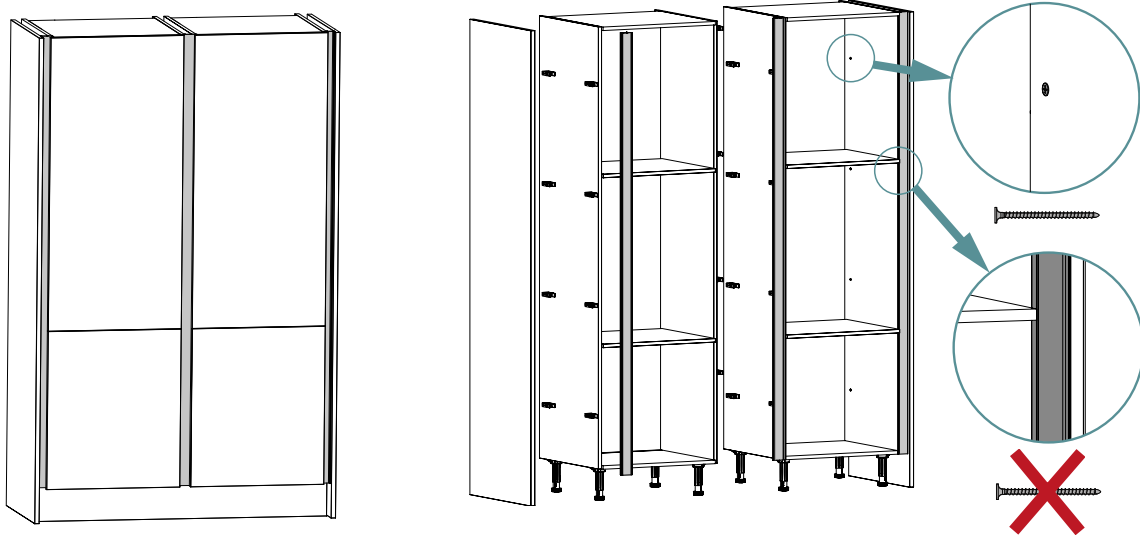
Screw in the opposite direction



Required elements (not included)

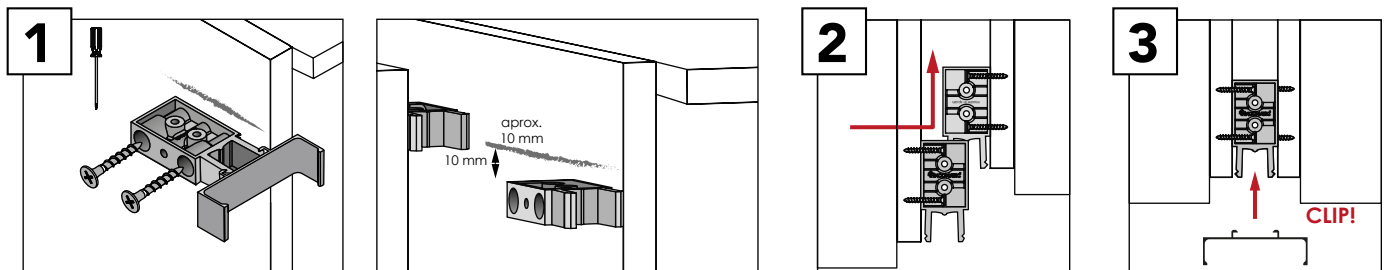
-  4 x 30
-  4,5 x 65
-  Broca de 4,5

6 VERTICAL INSTALLATION WITH "VISIBLE" & "NOT VISIBLE" SCREW



The cabinet side-panel must be cut 19 mm

Front Side

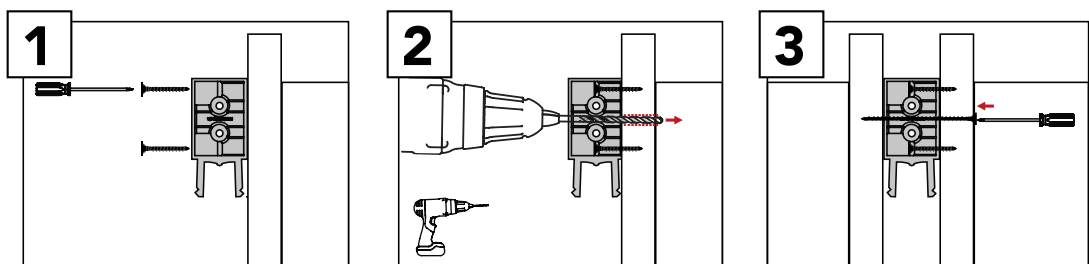


Screw the clips to the side panels using a small piece of profile to located it in right place. The distances among clips must be at least 10 mm

Put both cabinets together

Clip the profile, so both cabinets will be joined

Back Side

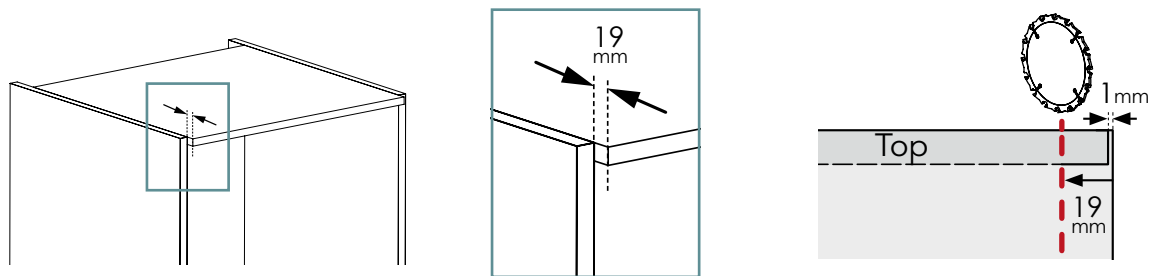
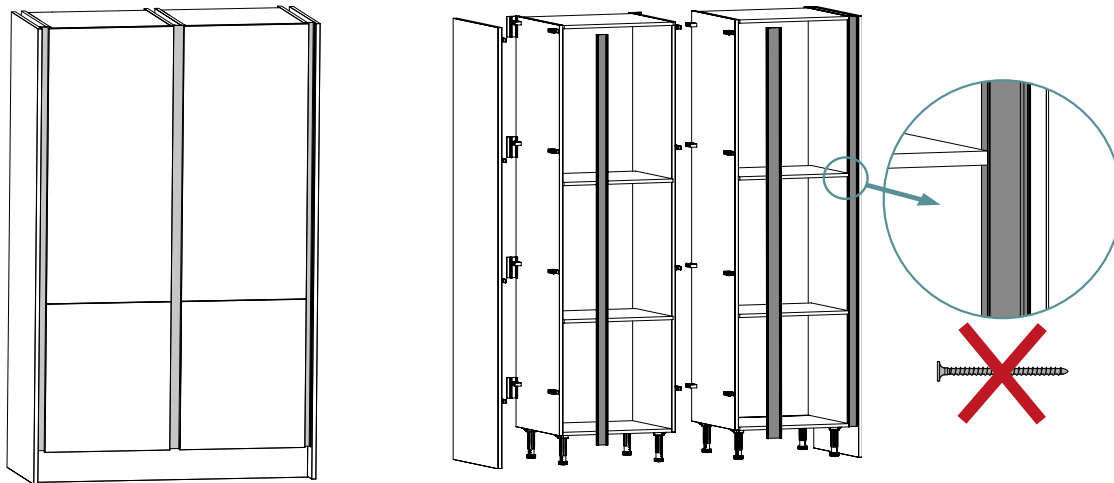
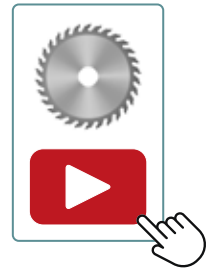


Screw the clip to the side

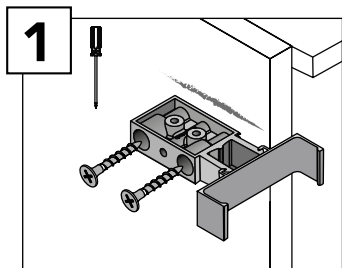
Drill the side panel

Screw in the opposite direction

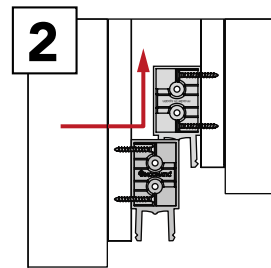
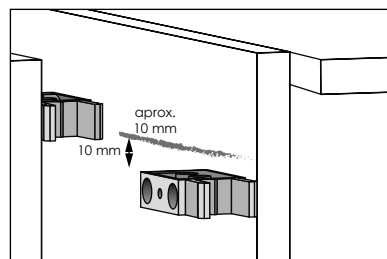
7 VERTICAL INSTALLATION WITH "NOT VISIBLE" SCREW



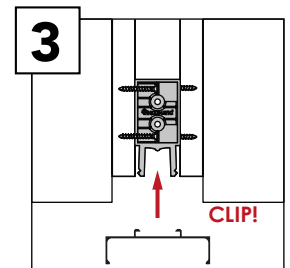
The cabinet side-panel must be cut 19 mm



1 Screw the clips to the side panels using a small piece of profile to located it in right place. The distances among clips must be at least 10 mm



2 Put both cabinets together



3 Clip the profile, so both cabinets will be joined

